

**Matala**<sup>®</sup>  
"Make water alive"

# IMMERSION UV-C



## Operation Manual

**!!CAUTION:** The UV light will hurt the eyes and skin, please keep away from the lamp without any defence.

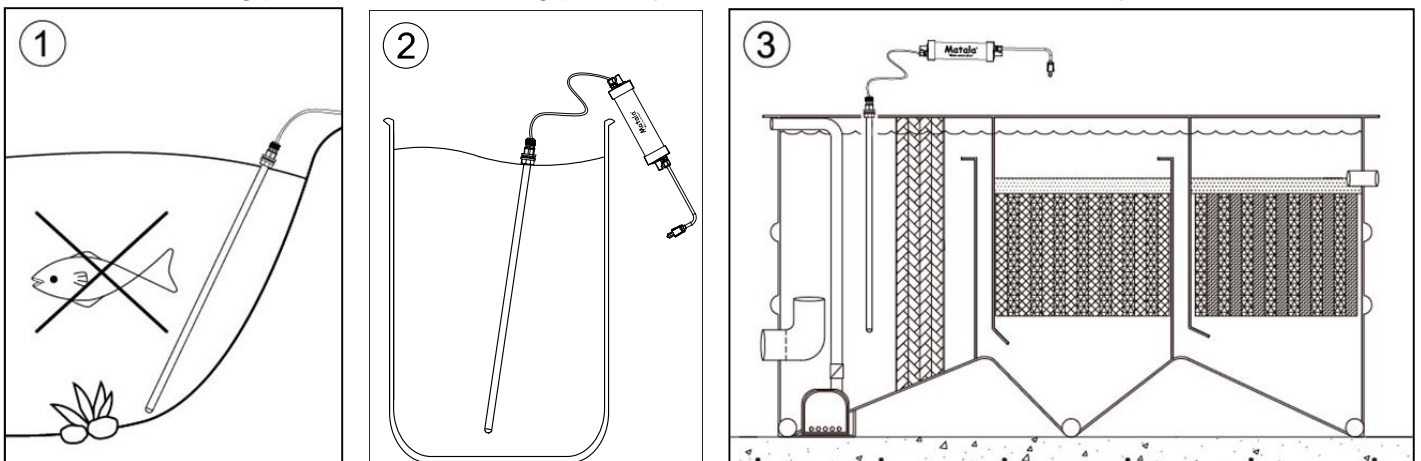
**Please read carefully through these instructions for use before installing this device.**

### **Operation**

The UV-C plunger generates UV-C radiation at a wavelength of 253.7 nm through the PHILIPS T5 UV lamp, which destroys bacteria (incl. the Legionella bacteria). The UV-C plunger ensures clean, fresh and clear pond water in an efficient and environmentally-friendly manner. The UV-C radiation neutralizes bacteria, viruses and other primitive organisms, and prevents them from reproducing. The UV-C plunger has an electronic ballast to ensure a constant power supply. Always use protective goggles and wear latex gloves when putting the UV-C plunger into operation. It is also recommended that you carefully read through the safety regulations.

**The UV-C plunger is a mobile unit that can be used for various purposes, such as:**

- Ponds (**not in direct contact with fish, drawing 1**)
- Water-butts / water storage tanks (drawing 2)
- Filter systems / relief boxes (drawing 3)
- Swimming pool filters / swimming ponds (**not in direct contact with human!**)



This UV-C device is also suitable for saltwater applications. The device must always be rinsed with clean water, however, after being removed from saltwater or chlorinated water.

### **Advantages of the UV-C treatment:**

- Ensures clear water
- Disinfects water efficiently and safely
- Prevents germs
- Safe and easy to use
- Keeps the formation of mould, bacteria and algae under control

### **Advantages of the UV-C plunger:**

- Includes a special built-in electronic pre-selector for a constant power supply.
- Includes a PHILIPS UV-C lamp
- Easy installation and maintenance
- 1-year guarantee on manufacturing faults
- Earthed
- Can be used for several applications
- Submersible

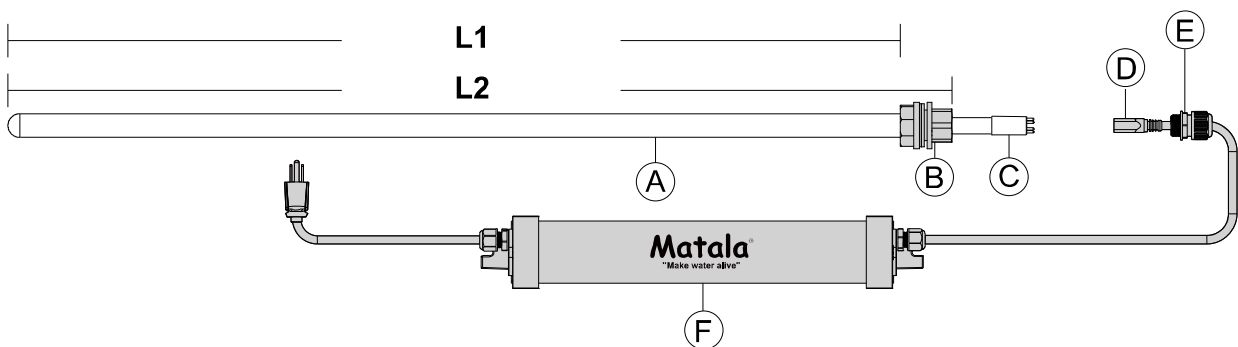
## Safety

**Attention! Make sure the lamp is always completely under water. If the lamp is on while it is dry, it will overheat and burn out.**

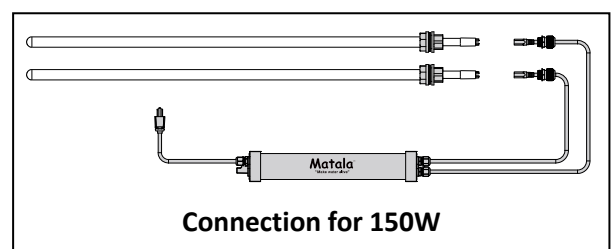
- This device produces harmful radiation. Direct contact can be harmful to eyes and skin.
- Unintended use of the device may lead to direct exposure to hazardous UV-C radiation. Even in small doses, UV-C radiation could cause injury to the eyes and skin.
- Always insert the plug of the device into an earthed socket fitted with a protective cover.
- Always comply with the electricity company's regulations with regard to any permanent connection to the mains. If there is any doubt regarding the connection, consult a recognized electrician or the electricity company. Always work with an earth leakage current circuit-breaker (max 30mA).
- Always remove the plug from the socket before carrying out any maintenance or repair work on the unit. Never insert the plug / pull the plug from the socket when you are standing in water or if your hands are wet.
- This device is not intended for use by persons (including children) with reduced physical, sensory or mental capabilities, or a lack of experience and know-how, unless they are under supervision or are instructed on the use of the device by a person responsible for their safety.
- The cable of the device cannot be replaced. The complete electrical unit of the device must be replaced if there is any damage to the power cable. Never remove the plug, but always leave the electrical unit intact. An electrical unit with the plug removed will no longer be covered by the guarantee.
- Once the device has been switched off, the lamp will remain hot for approximately 10 minutes.
- Do not use the device if any of the components are damaged (this particularly applies to the quartz glass).
- Remove the device if there is any risk that it might freeze during the winter months.
- This product may only be used according to the guidelines described in this manual.

## Montage Immersion UV-C

**Attention! Make sure the lamp is always completely under water. If the lamp is on while it is dry, it will overheat and burn out.**



Connection for 16W/25W/40W/75W



Connection for 150W

1. Fit or place the UV-C plunger at the desired location in the water.
2. Install the electrical unit (F) in a dry/sheltered position.
3. The UV plunger is now ready for use.

### Replacing the UV plunger lamp

1. Remove the plug from the socket and wait for at least 1 minute.
2. Carefully take the UV plunger out of the water.
3. Loosen the cable gland (E) from the nut part (B).
4. Take a new UV lamp (C) from the packaging.
5. Carefully pull the lamp (C) from the lamp fitting (D).
6. Carefully slide the new lamp (C) into the quartz glass (A).
7. Place the lamp fitting (D) onto the lamp (C).
8. If necessary, clean the quartz glass with a soft cloth and a non-aggressive cleaning agent.
9. Slide the quartz glass into the lamp fitting and hand-tighten the nut onto the screw part (E).
10. Please make sure all connector / fittings are thread tighten.
11. The UV-C device is now ready for use.

**Attention: the lamp must be disposed of at the civic amenity site of your municipality. The complete electrical unit of the device must be replaced as a whole if there is any damage to the power cable.**

### Technical specifications

Model	16W	25W	40W	75W	150W
Lamp T5	16 Watt	25 Watt	40 Watt	75 Watt	75Watt x 2
Lamp Interval	9000 hour				
Voltage	50Hz or 60Hz / 110-120V or 220-240V				
Max. Suggested Pond size	2,200 Gal 8,330L	3,500 Gal 13,250L	5,500 Gal 21,000L	10,500 Gal 39,700L	20,500 Gal 77,600L
Dimension: L1 (in)	13.6	22.6	34.3	34.3	34.3
(mm)	345	573	870	870	870
Dimension: L2 (in)	15.6	24.5	36.2	36.2	36.2
(mm)	395	624	920	920	920

**DISTRIBUTED BY**



160113

**MATAŁA WATER TECHNOLOGY CO., LTD.**  
www.matala.com.tw